

Centimeters
0 1 2 3 4 5 6 7 8 9 10

Inches
0 1 2 3 4

SIZE TABLE FOR TIANA'S CLOSET PATTERNS

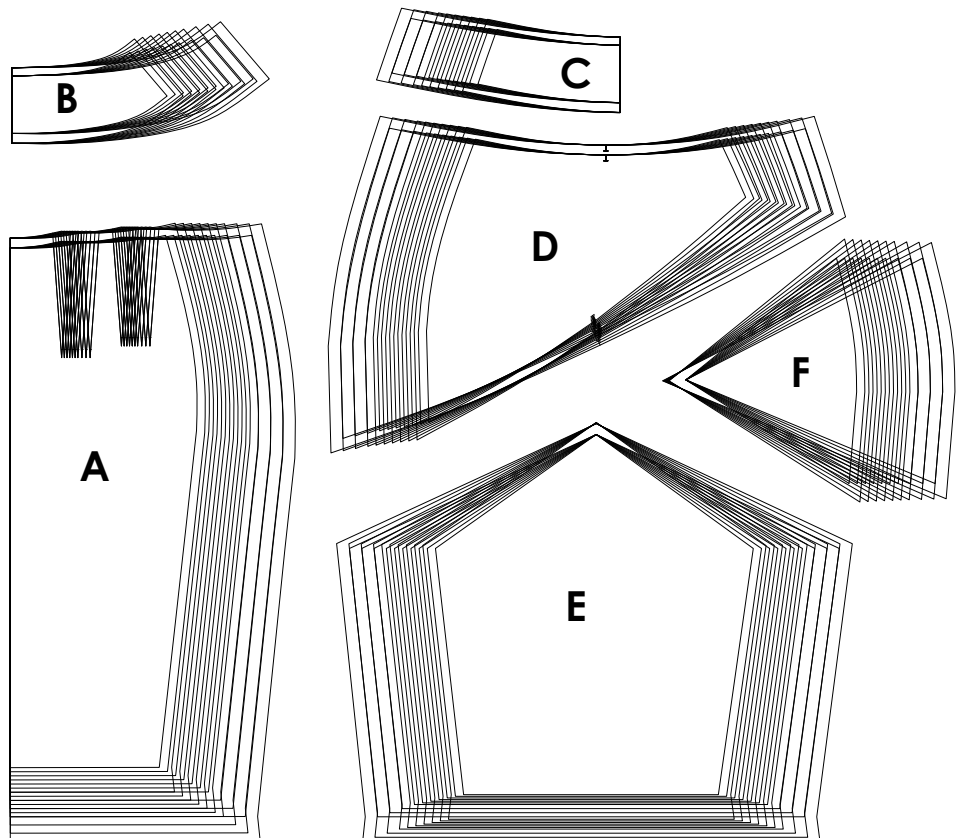
Size		XXS	XS	S	M	L	XL	XXL	3XL	4XL	5XL
Bust	centimeter	80	84	88	92	96	100	104	110	116	120
	inch	31.5	33.1	34.6	36.2	37.8	39.4	40.9	43.3	45.7	47.2
Waist	centimeter	60	64	68	72	76	80	84	90	96	102
	inch	23.6	25.2	26.8	28.3	29.9	31.5	33.1	35.4	37.8	40.2
Hip	centimeter	88	92	96	100	104	108	112	118	126	132
	inch	34.6	36.2	37.8	39.4	40.9	42.5	44.1	46.5	49.6	52.0

Printing instruction:

- Patterns are made in layered PDF format, where all sizes are saved in one file and can be shown or hidden. In order to choose the desired size, go to Layers tab of your PDF reader, uncheck all boxes except for the desired size(s) and the box Print for all sizes.
- When printing the pattern, go to Print settings, in the tab Scale choose Custom scale: 100% (or Actual size) to print true to size. Note: some computers print smaller than true size even when you choose 100%, so you will have to adjust the scale to a little larger than 100% and measure the test square until you get the true size.
- The test square is 10 centimeters (horizontally) and 4 inches (vertically).
- Always print the first page of the file and measure first to avoid waste of paper.
- After printing, cut the pages along the lines with scissors icon and align and tape the pages to their sequences. For example, 1A is taped to 1B in a row, and 1A is taped to 2A in a column.
- You can see photo instruction on Tiana's Closet website: <https://tianas closet.com/index.php/how-to-print-tianas-closet-patterns/>

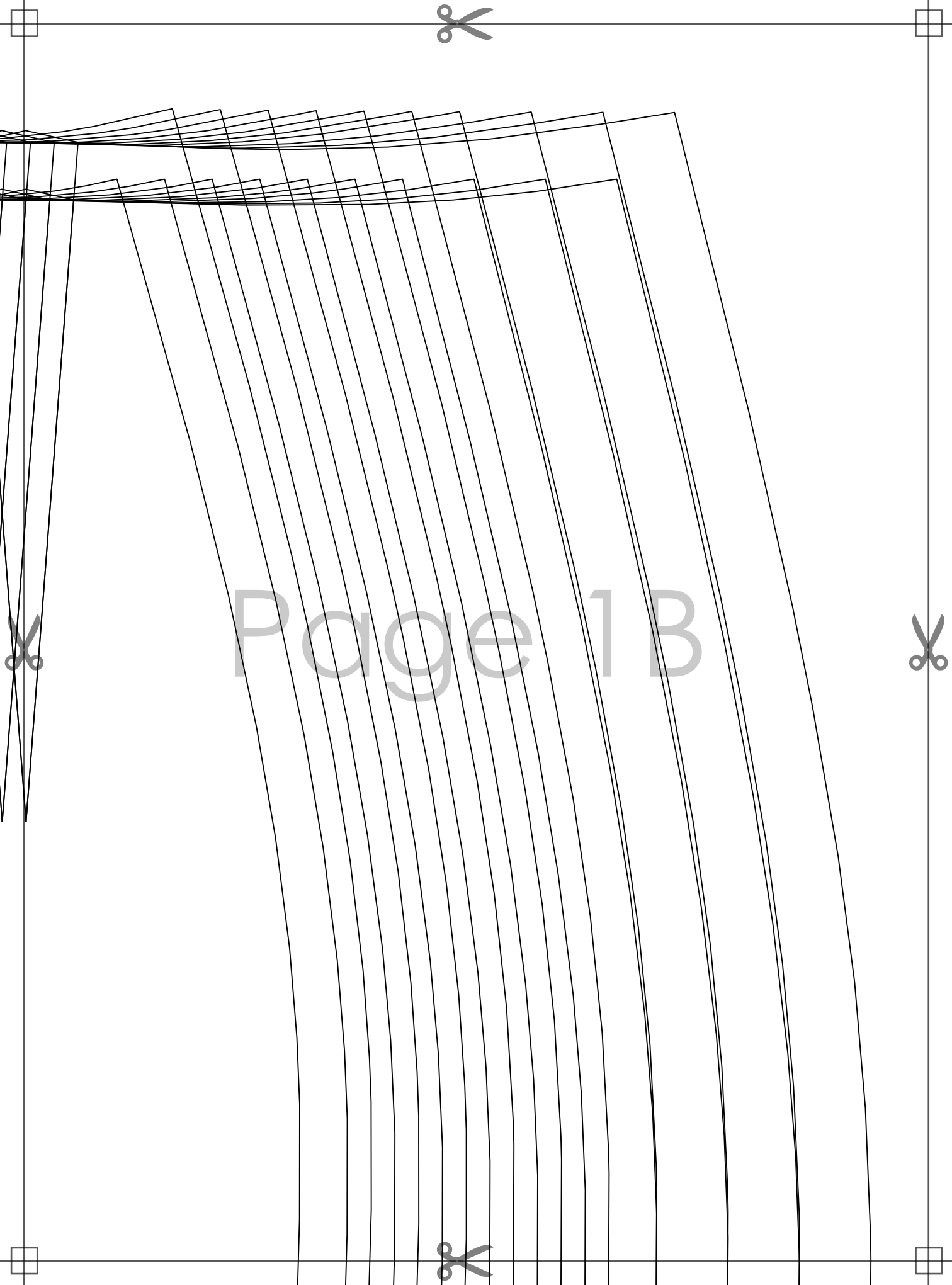
PATTERN PIECES:

- A. Skirt back (cut 1 on fold)
- B. Skirt back facing (cut 1 shell fabric + 1 fusible interfacing, on fold)
- C. Skirt front facing (cut 1 shell fabric + 1 fusible interfacing, on fold)
- D. Skirt front - upper part
- E. Skirt front - lower part
- F. Skirt front - side inset

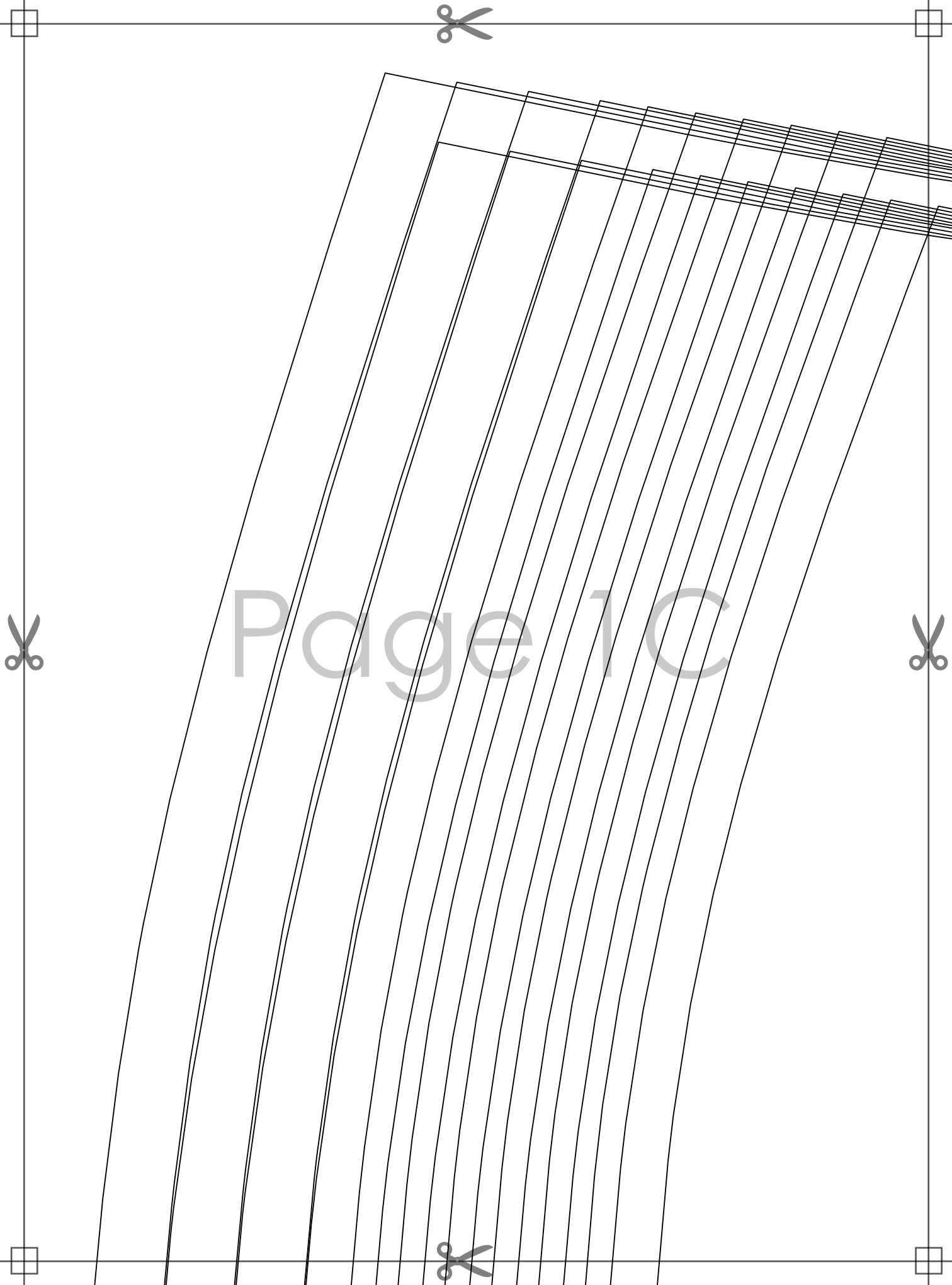


Page 1 A





Page 1 B



Page 1D

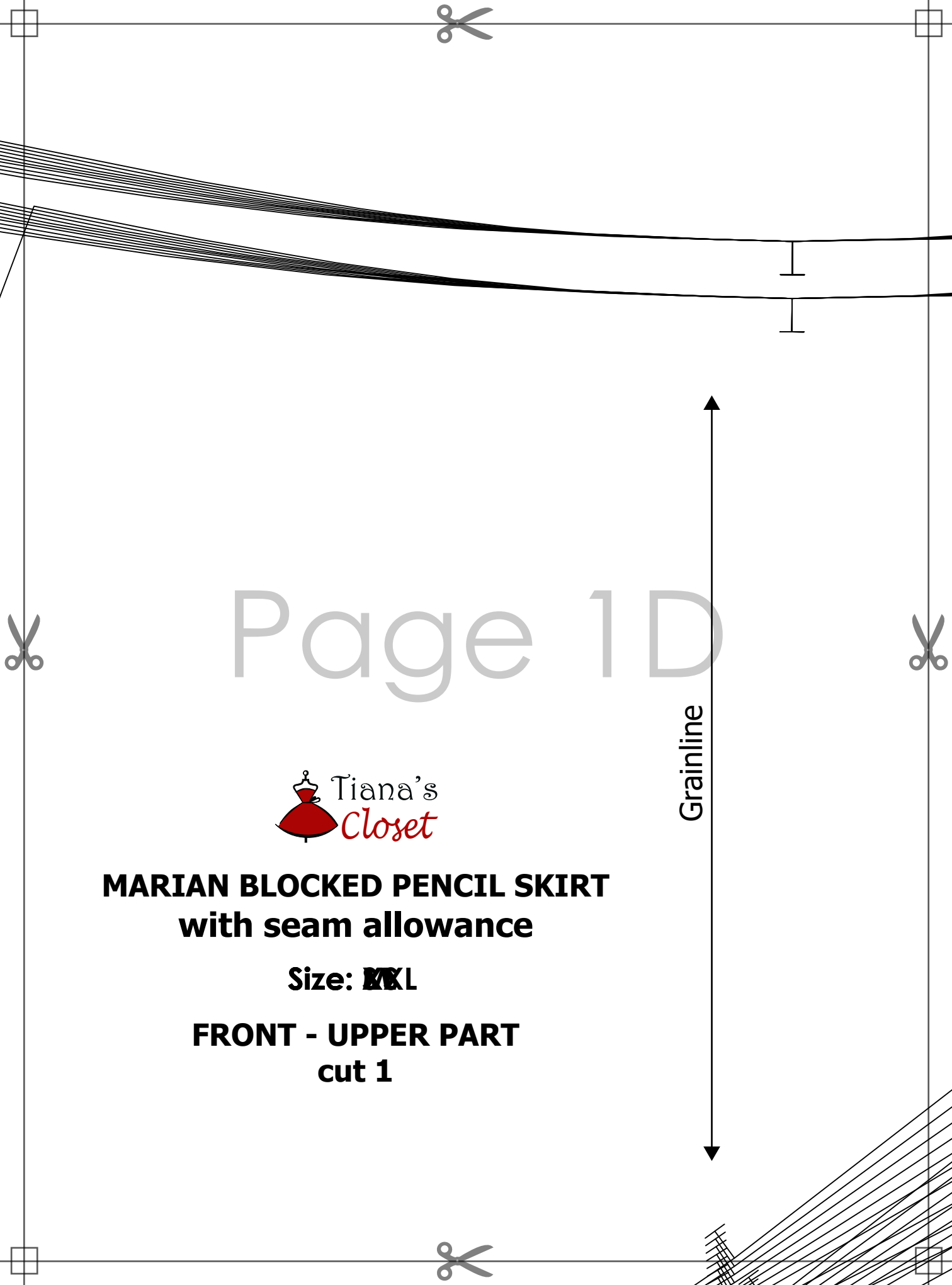


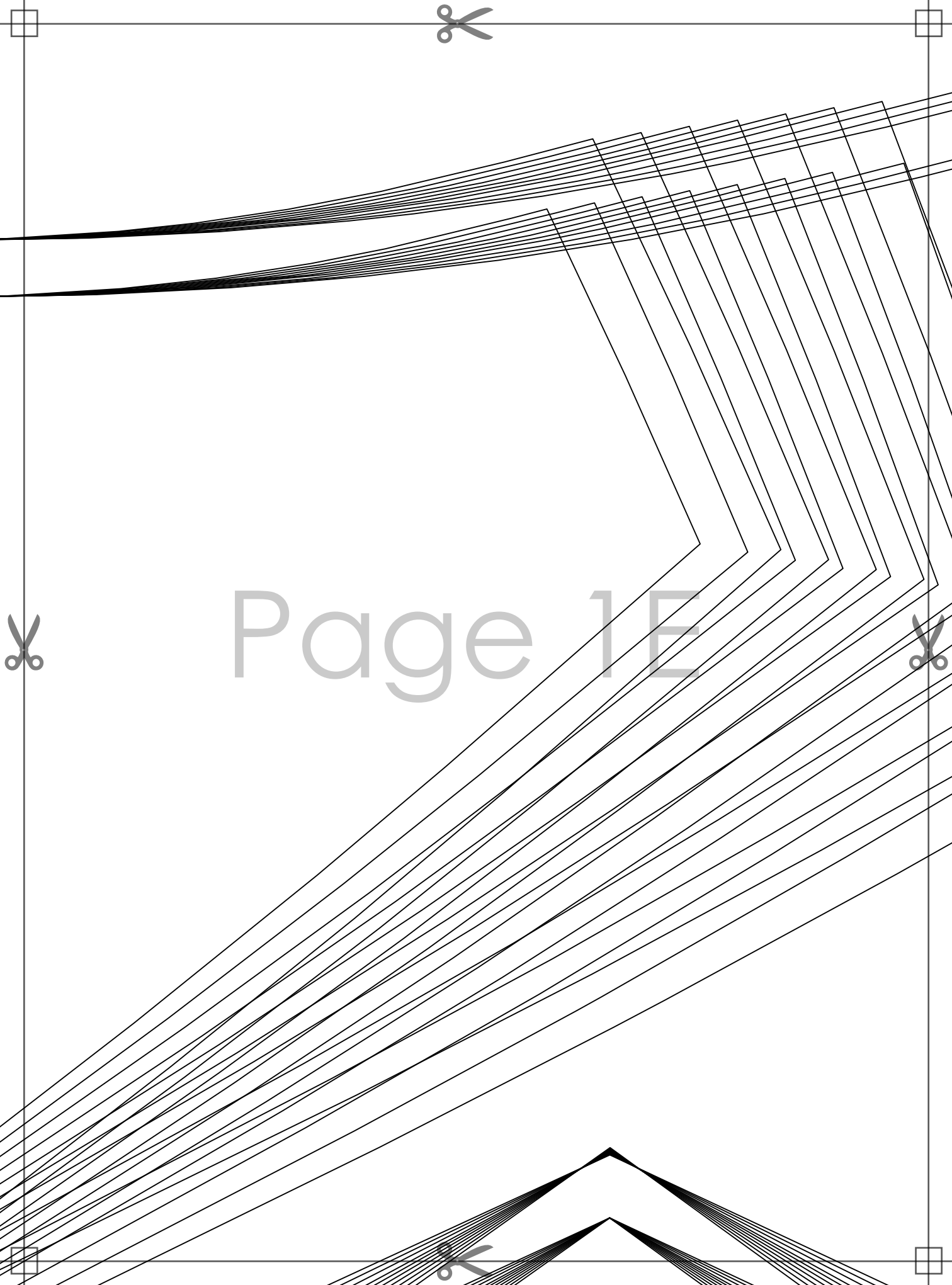
**MARIAN BLOCKED PENCIL SKIRT
with seam allowance**

Size: ~~XXL~~

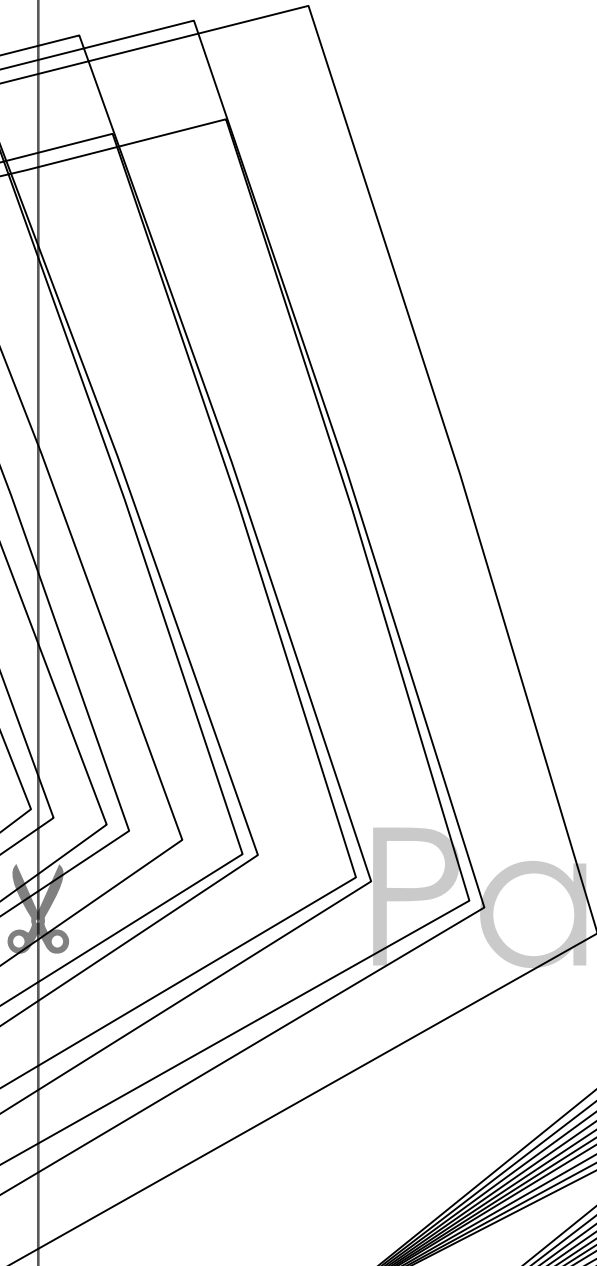
**FRONT - UPPER PART
cut 1**

Grainline





Page 1E



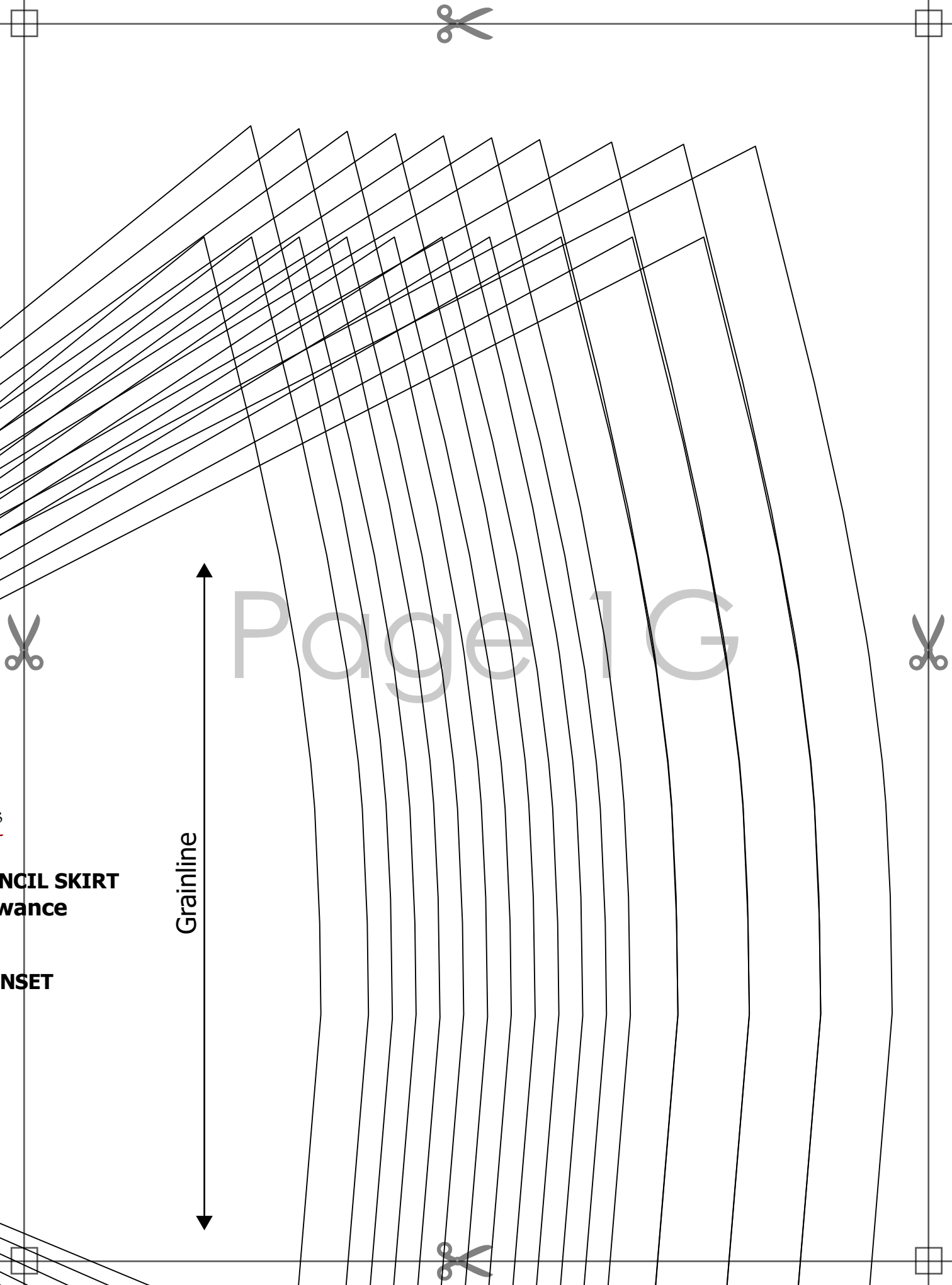
Page 1/1



**MARIAN BLOCKED PENCIL
with seam allowance**

Size: ~~M~~L

**FRONT - SIDE INSET
cut 1**



Page 1 G

Grainline

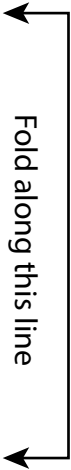
NCIL SKIRT
wance
NSET



**MARIAN BLOCKED PENCIL SKIRT
with seam allowance**

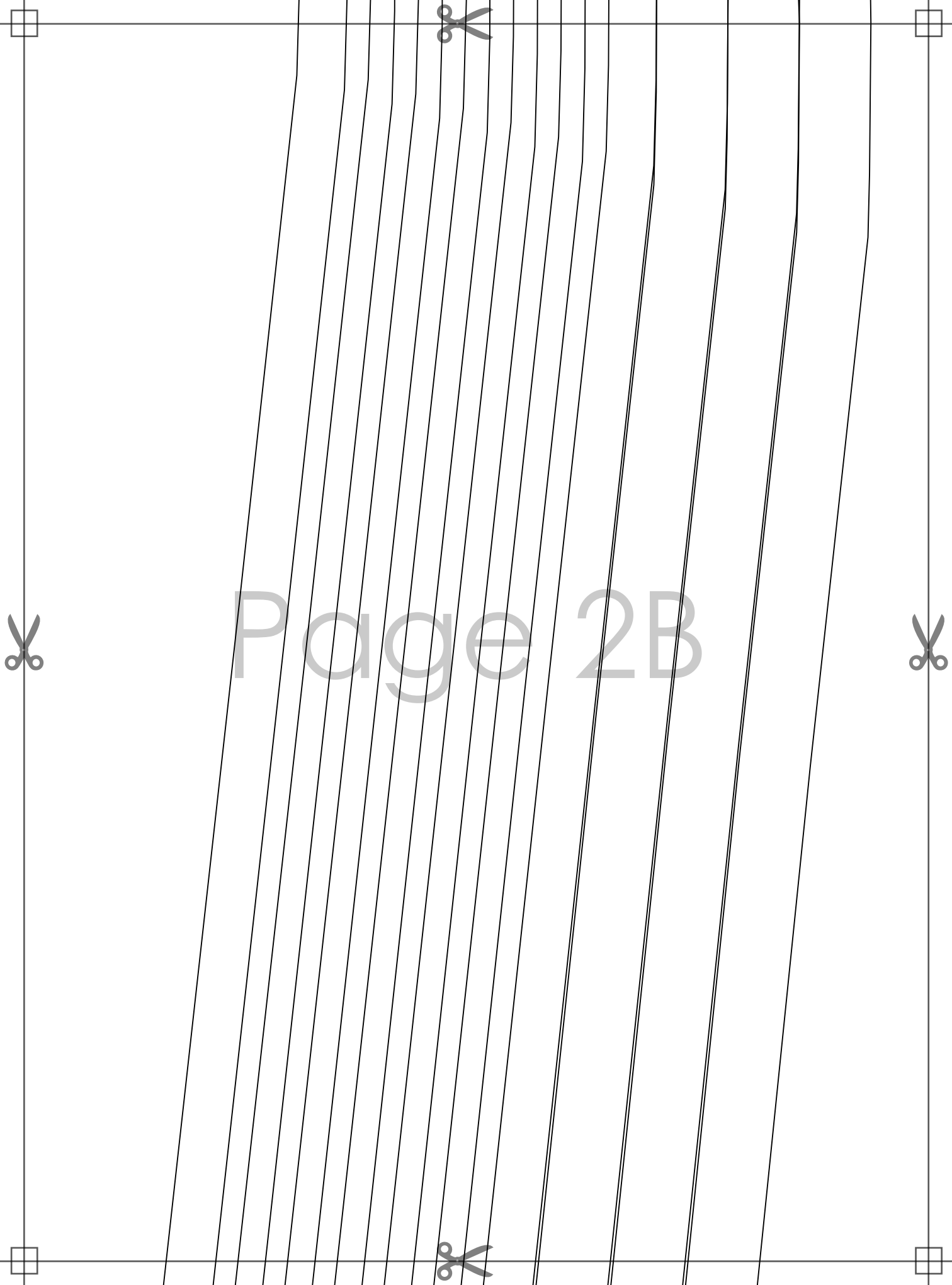
Size: ~~XXL~~

**BACK
cut 1 on fold**



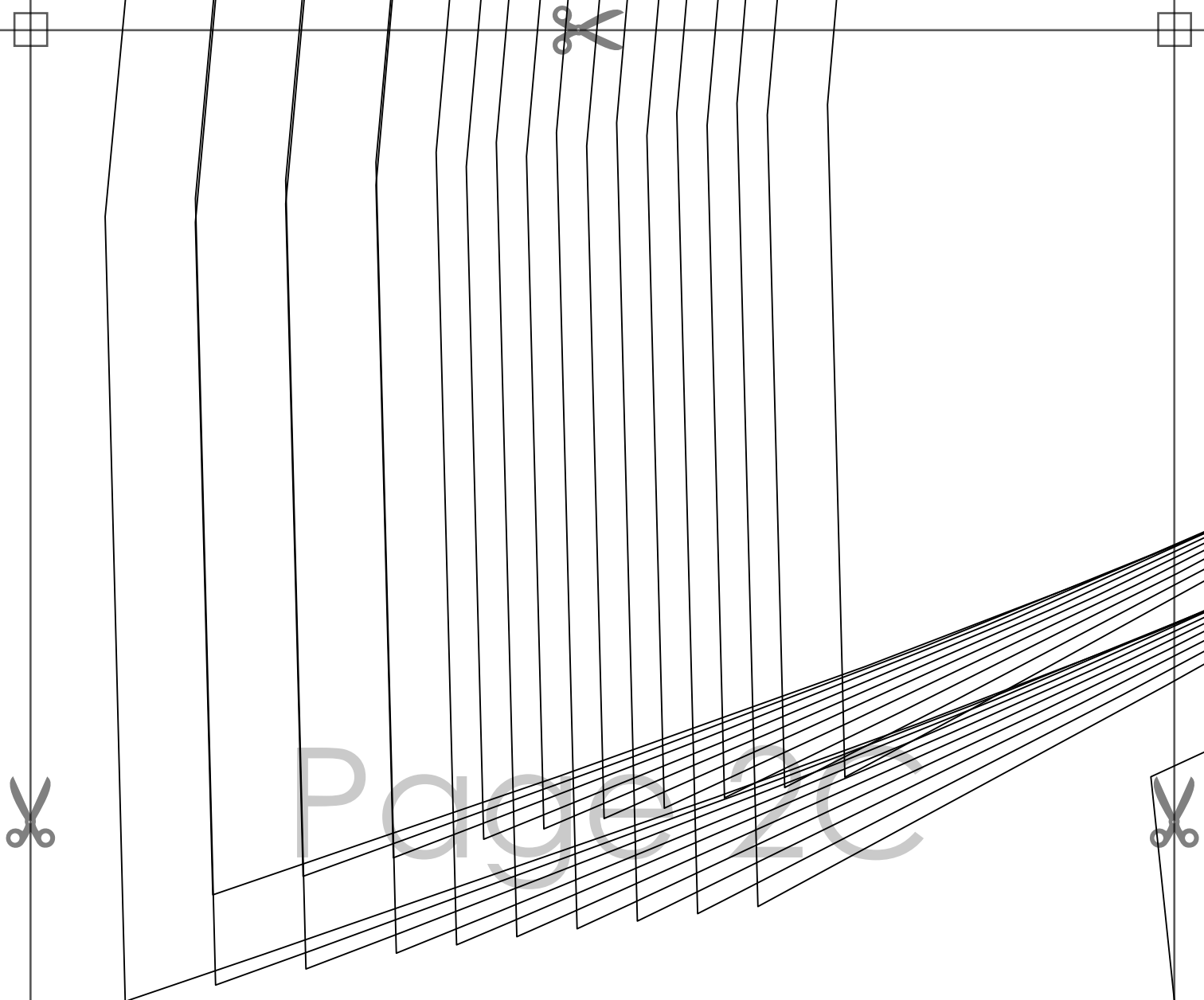
Page 2A



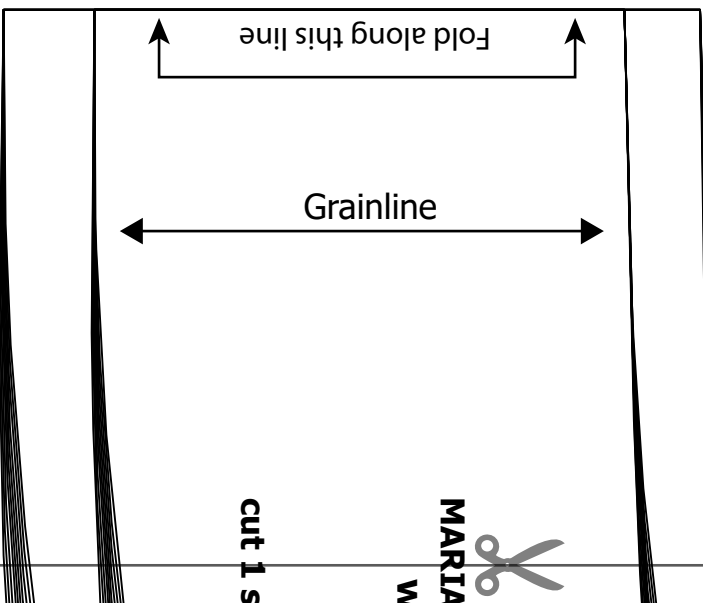


Page 2B





Pages 200

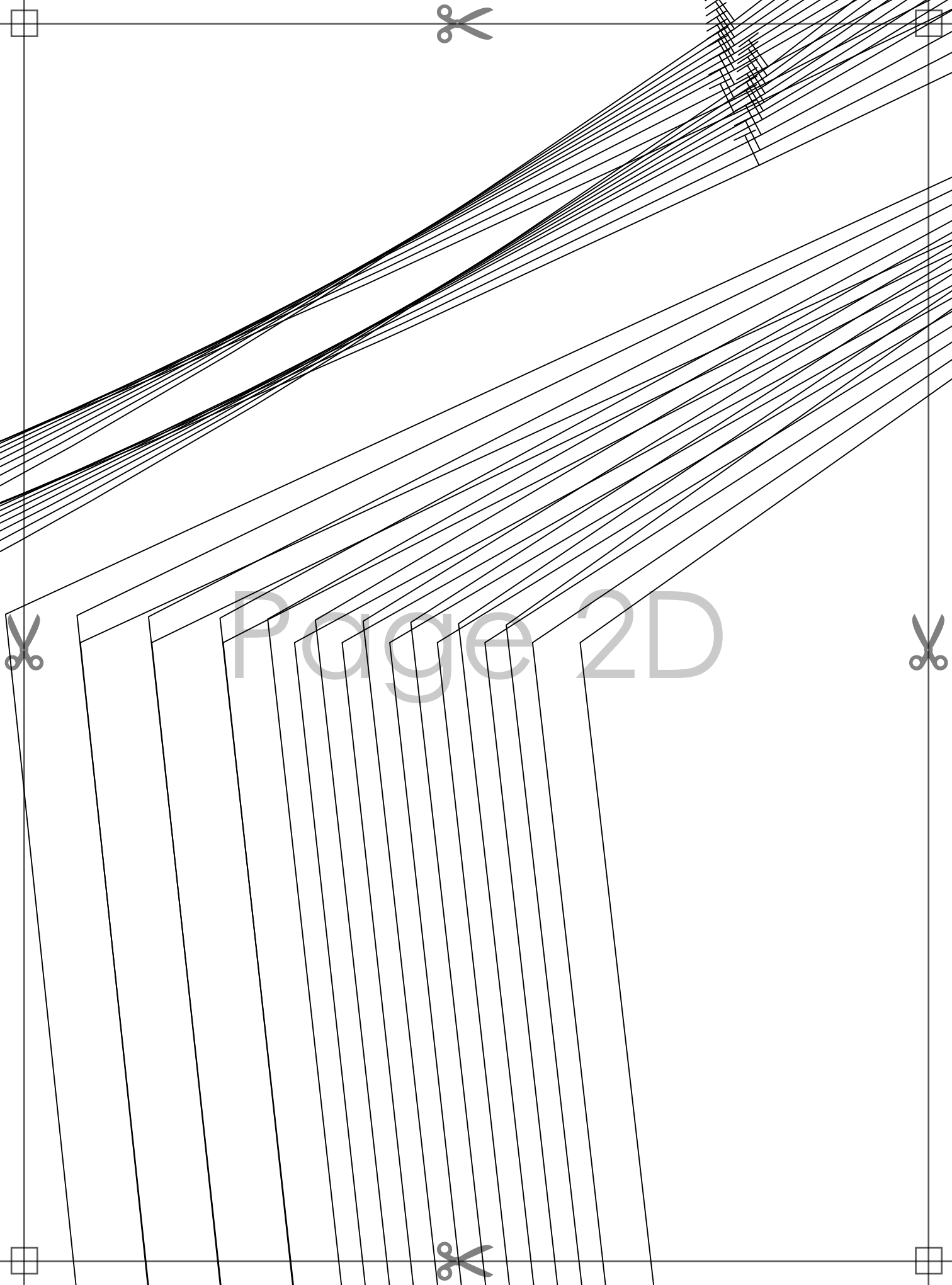


Fold along this line

Grainline

cut 1 s

MARIA W



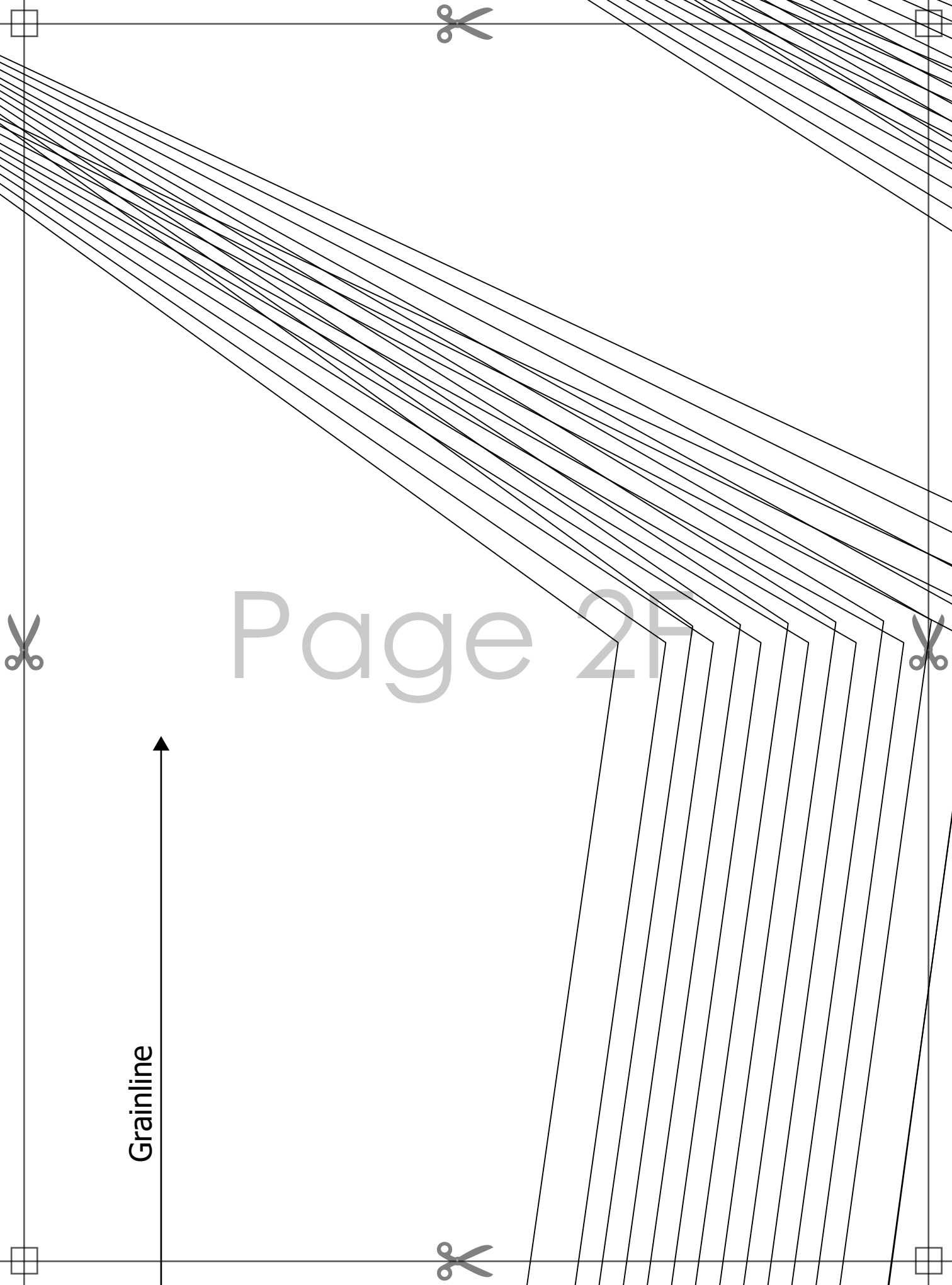
Page 2E



**MARIAN BLOCKED PENCIL SKIRT
with seam allowance**

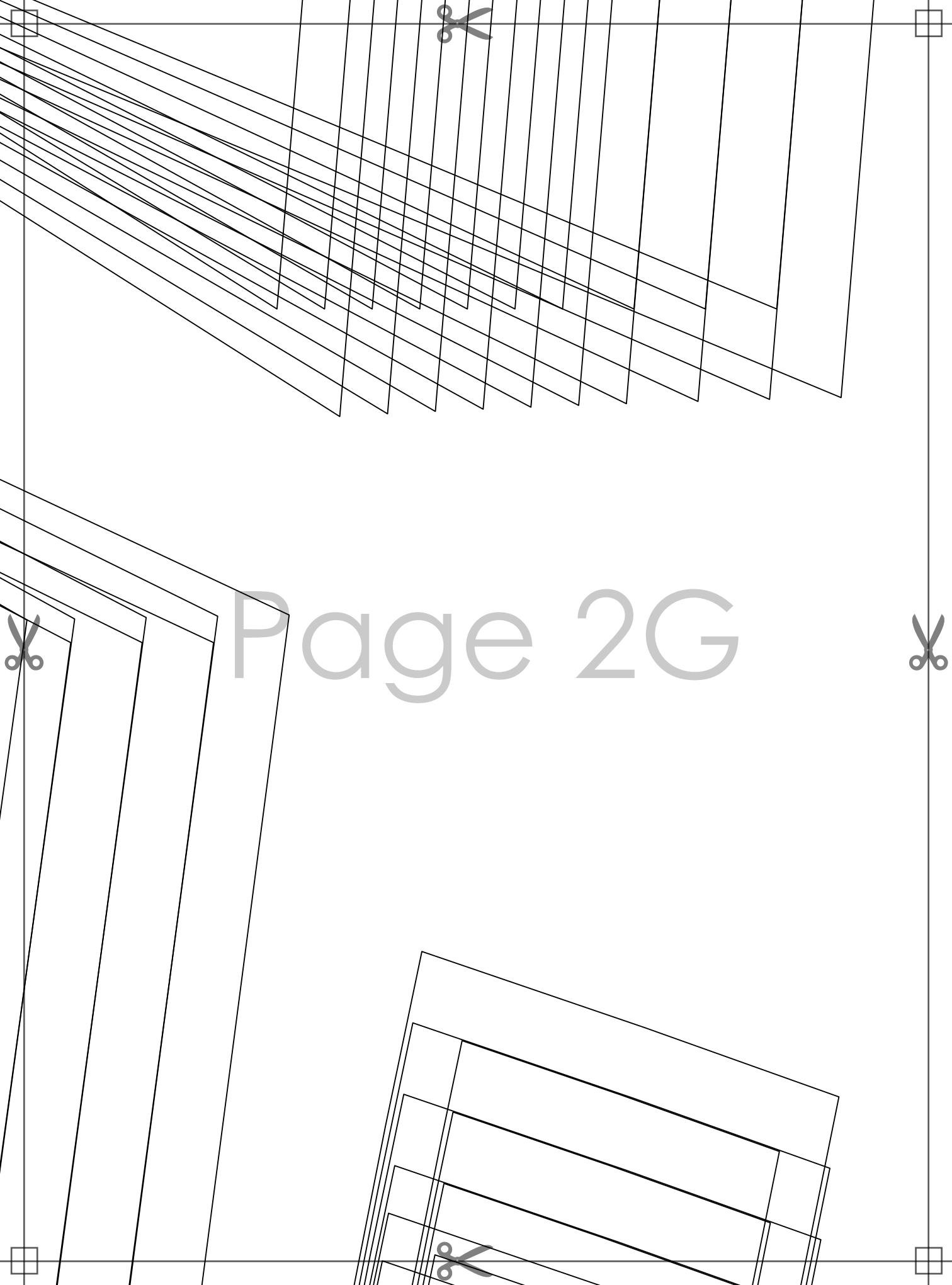
Size: ~~XXL~~

**FRONT - LOWER PART
cut 1**



Page 2F

Grainline



Page 2G

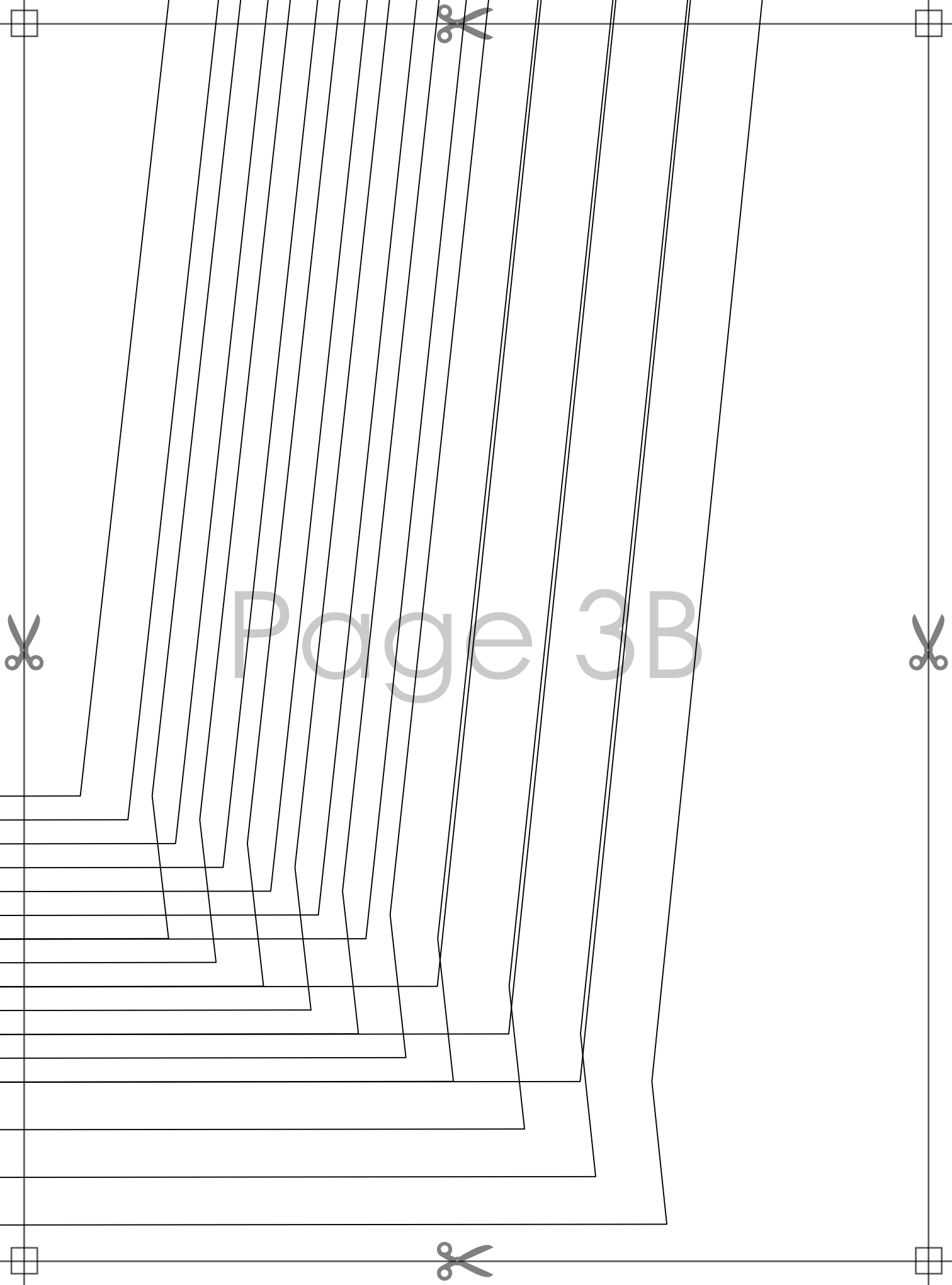


Page 3A



Lined writing area consisting of 15 horizontal lines.





Page 3B

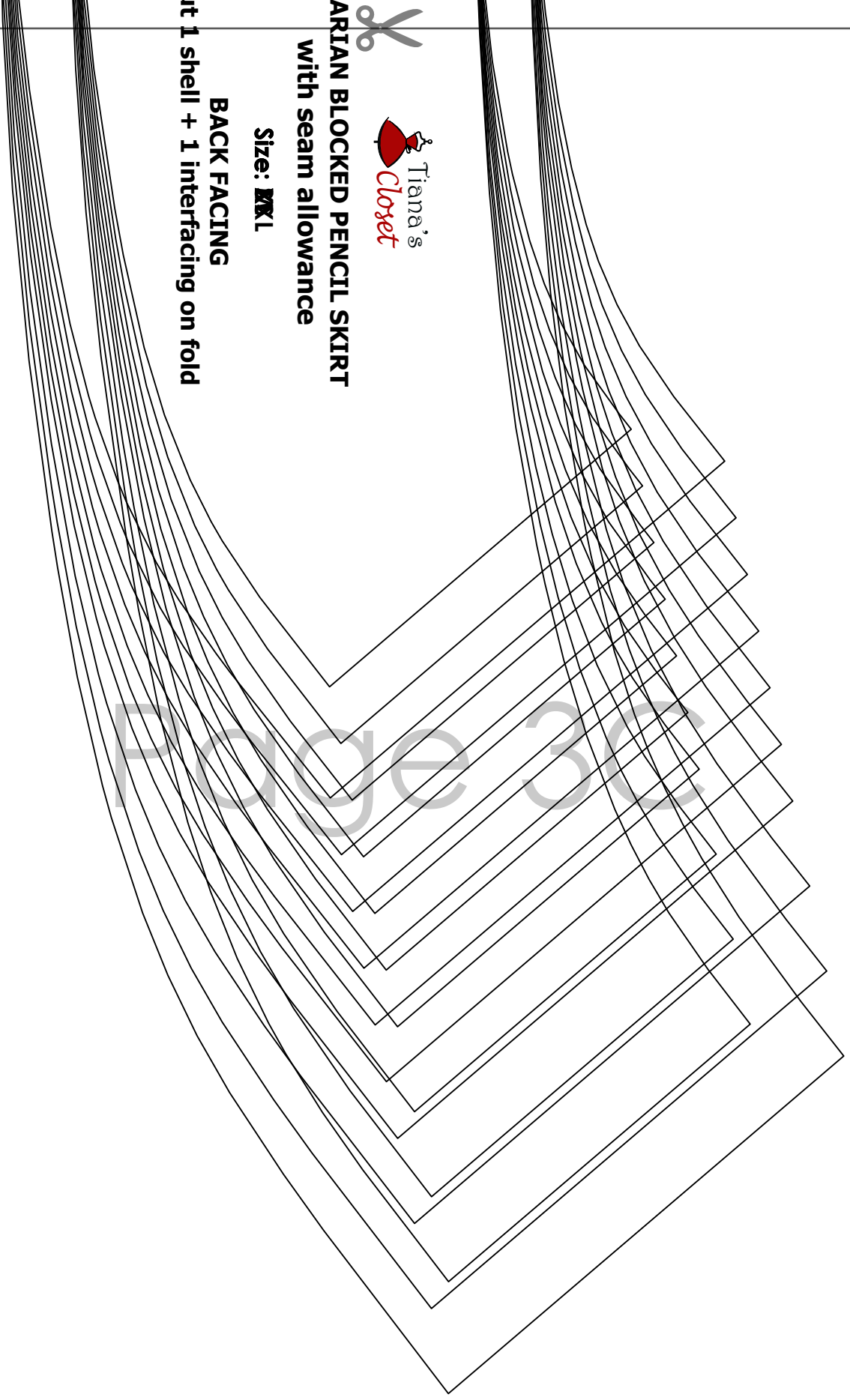


ARIAN BLOCKED PENCIL SKIRT
with seam allowance

Size: **XXL**

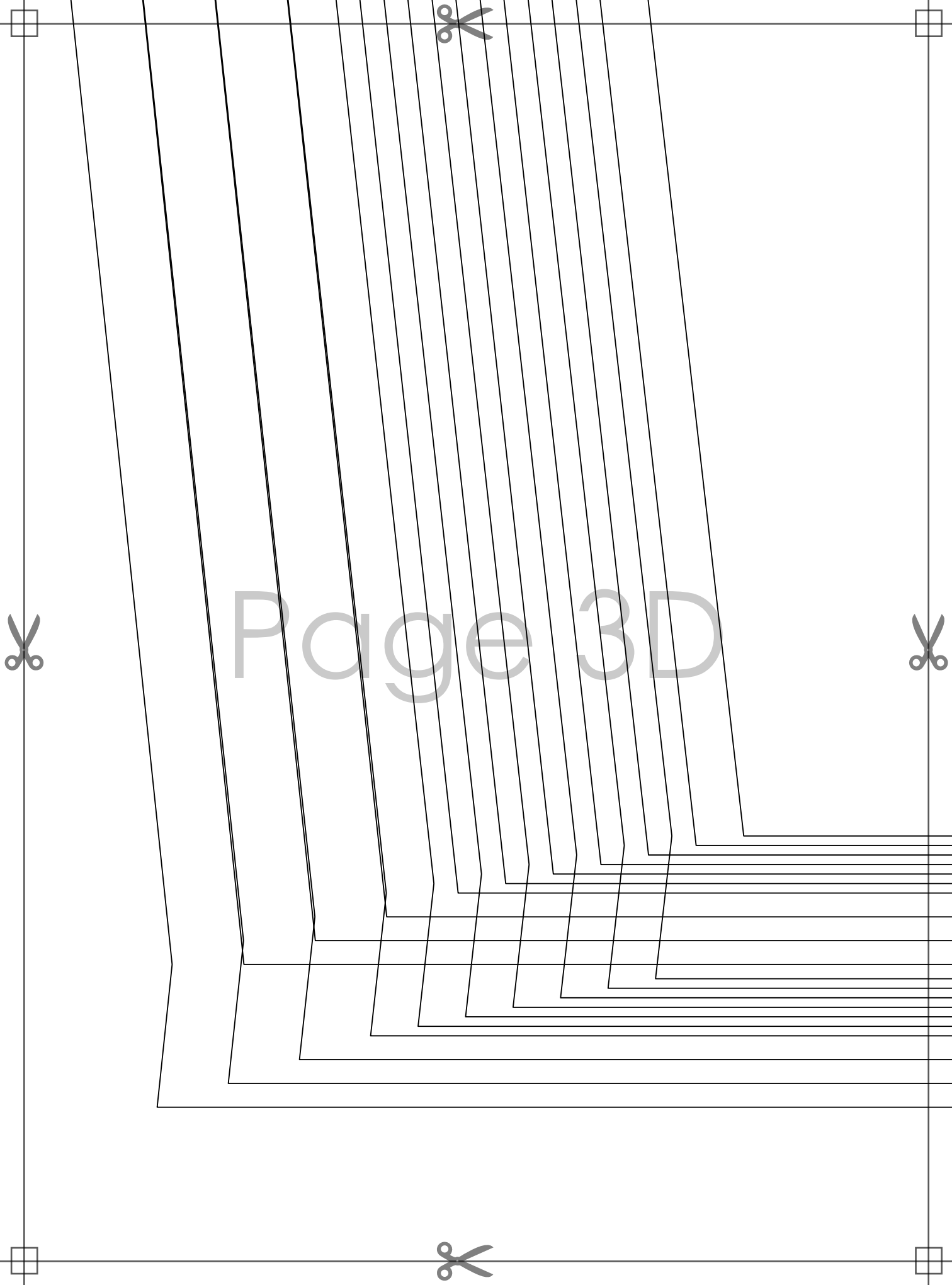
BACK FACING

cut 1 shell + 1 interfacing on fold



Page 30



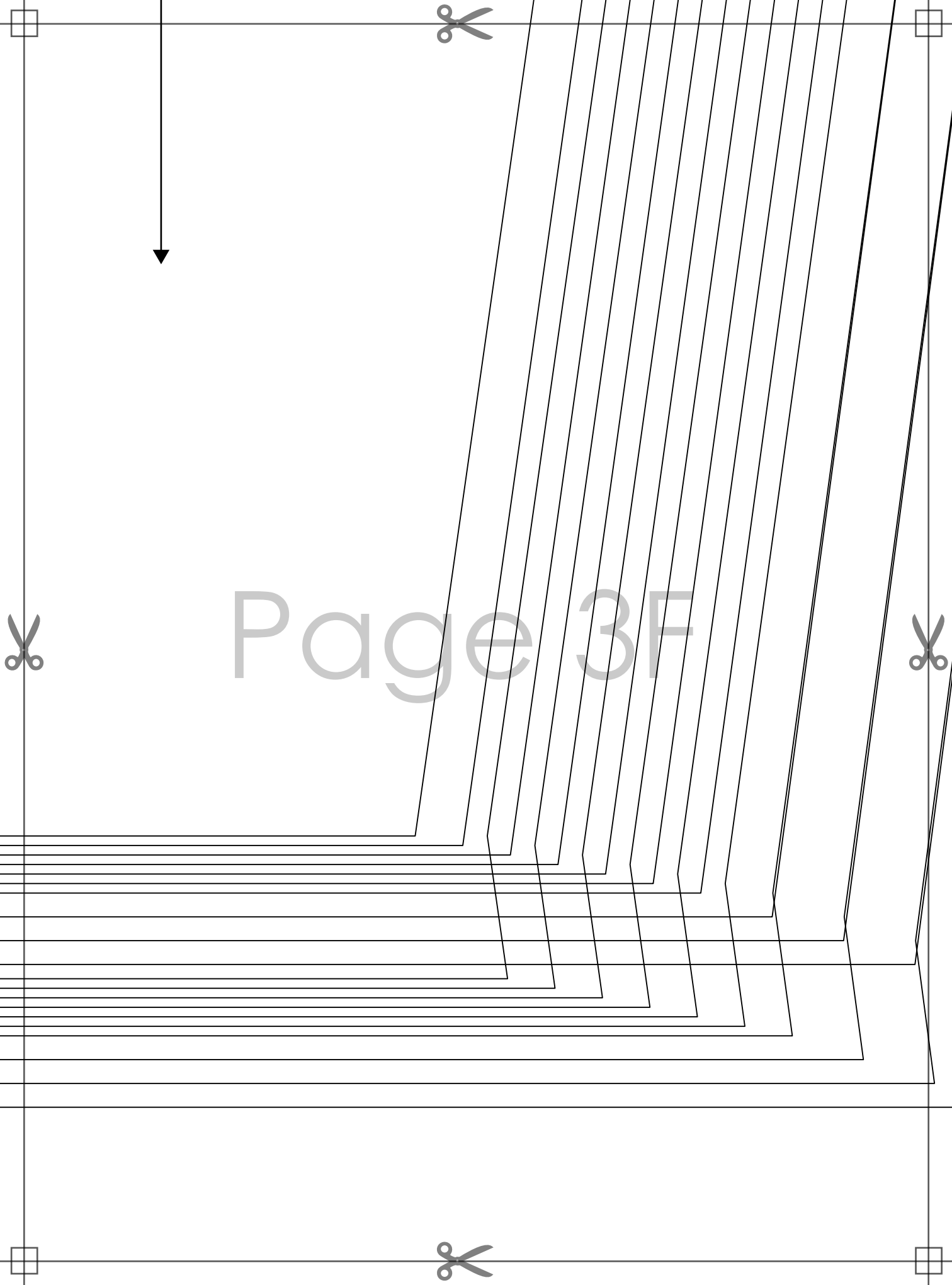


Page 3D



Page 3E





Page 3F



Tiana's
Closet

MARIAN BLOCKED PENCIL SKIRT
with seam allowance

Size: **M/L**

FRONT FACING
cut 1 shell + 1 interfacing on fold

Grainline

Fold along this line

